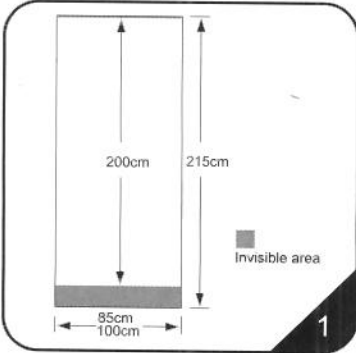
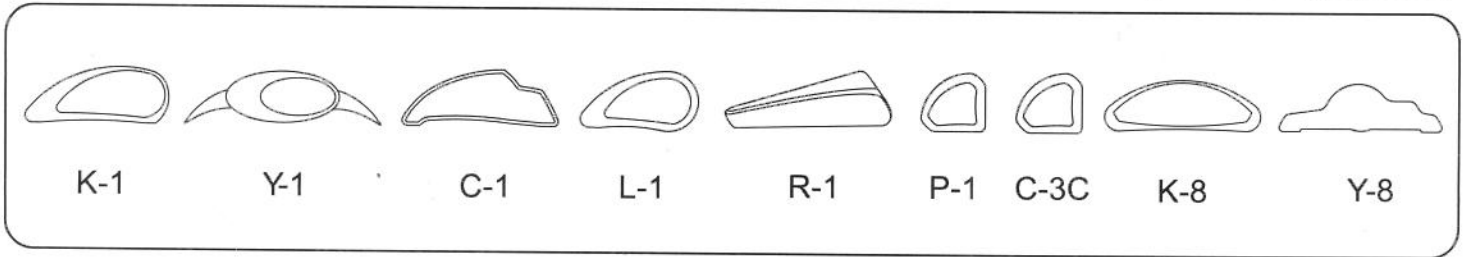


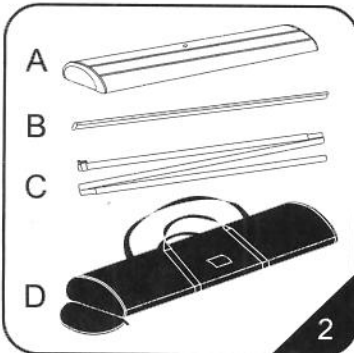
INSTALLATION STEPS 09.03

Modern appearance, high quality, practical, flexible for multiple uses. Carry cases and spotlights are available as accessories. Fast and easy to alter graphics.

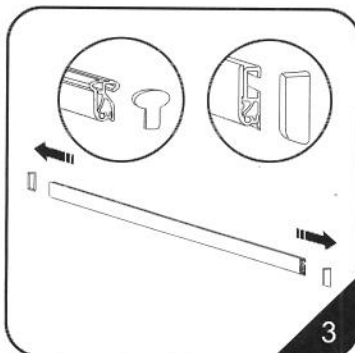


1. The overall width of stand is 85cm or 100cm, height is 215cm, the visible graphic height is 200cm.

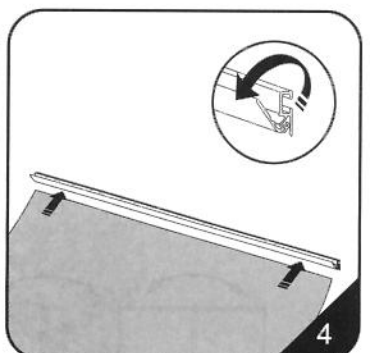
Our size in the manual is just a reference. Please make the graphic according to your actual purchased size.



2. The case should contain:
Installation instruction
A. a base unit B. top snap bar
C. 3-piece pole D. black bag

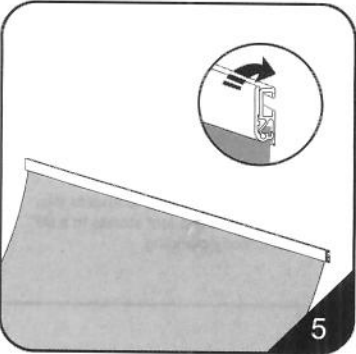


3. Remove the plastic end caps from the top snap bar.

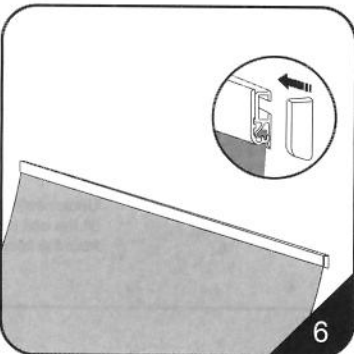


4. Open the snap bar then insert the top edge of the graphic.

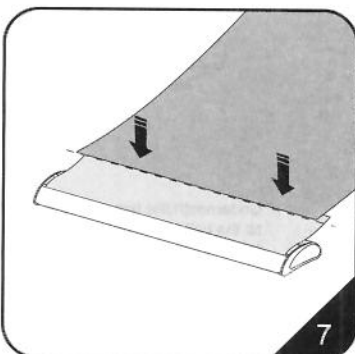
The graphic thickness should be 0.2mm ~ 0.4mm. Double layers for thin material.



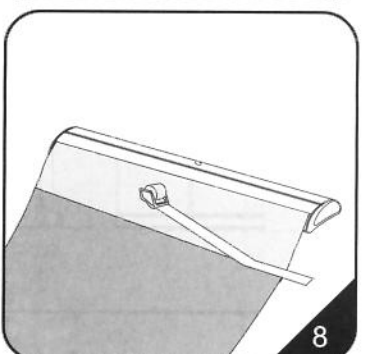
5. Close the snap bar lips to secure the graphic.



6. Finish the top by re-attaching the plastic end caps.



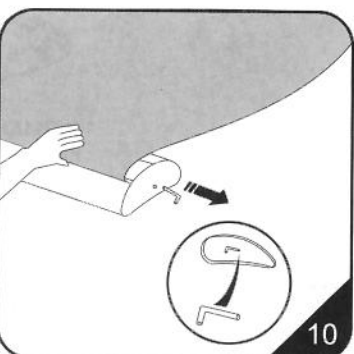
7. Peel off the adhesive paper along the edge of the base's leader roll and attach the bottom of the banner. Make sure the banner is straight.



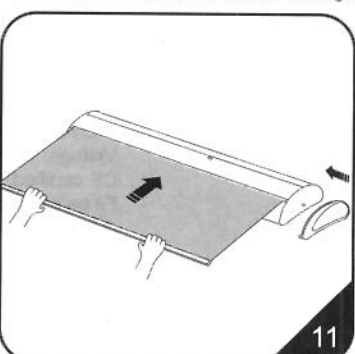
8. Secure the banner to the leader with a transparent adhesive tape at least 4cm wide both sides.



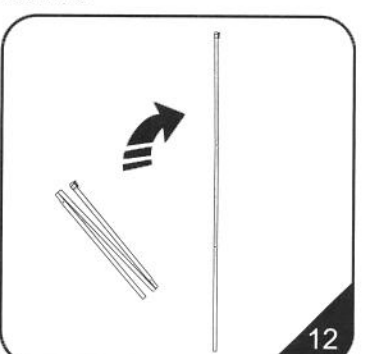
9. Peel off the cover of the right side.



10. Activate the spring tension by removing the Allen Key. Pull the Allen Key while holding on to the attached graphic. Save the key in the side cover.



11. Carefully allow the graphic to recoil into the base unit, then reattach the chrome ends.

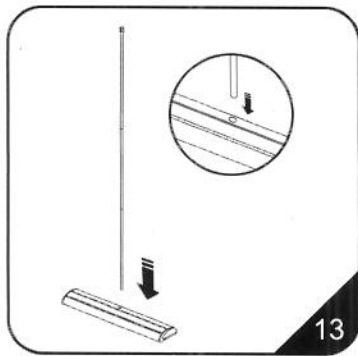


12. The hooked end corresponds to the top and the round end belongs to the bottom base.

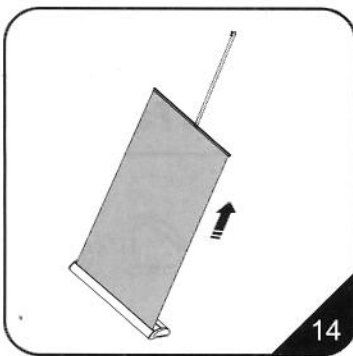
NEXT PAGE



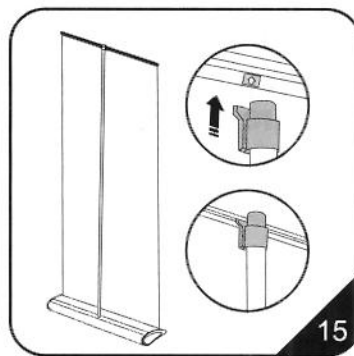
CAUTION: PLEASE READ THE INSTRUCTIONS BEFORE INSTALLING PRODUCTS



13



14



15



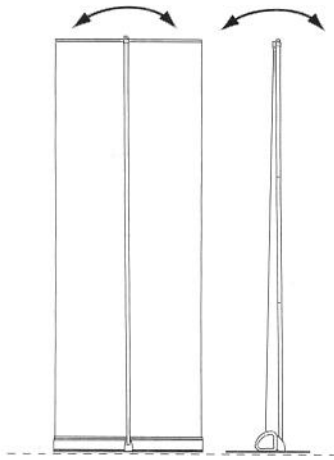
16

13. Insert the assembled pole into the base hole. 14. Pull the graphic completely.

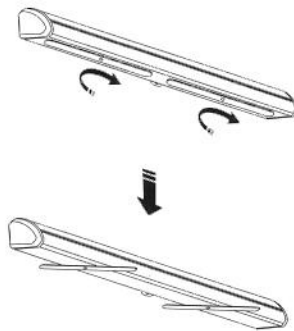
15. The plastic holder at the top of pole slips into the rear slot of the banner beam. A marker on the beam indicates the beam's centre where the pole should be inserted.

16. The unit can be leveled by adjusting the threaded plastic feet at the bottom of the base unit.

The additional steps of setting up P-1 and C-3C



P-1

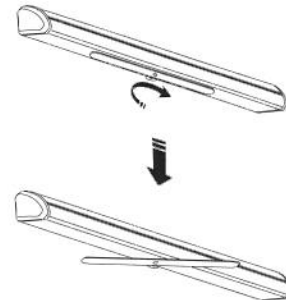


Underneath the base unit are two feet stands, to enable this, tilt the unit backwards and turn the two feet stands to a 90° from the base. This keeps the body standing.

C-3C

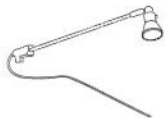


Standard package



Underneath the base unit is one foot stand, to enable this, tilt the unit backwards and turn the two feet stands to a 90° from the base. This keeps the body standing.

Optional accessories



C-D1/D2
Voltage: 110V/220V
CE certified.
Fit on all models.
Color: Silver / Black



C-D1-LED/C-D2-LED
Voltage: 110V/220V
CE certified.
Fit on all models.
Color: Silver / Black



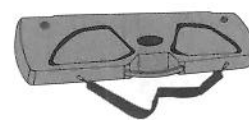
C-D11/D12
Fit on all models.
Color: Silver / Black



C-11-X5
This carry case is able to store all models.



C-11-X10
This carry case is able to store all models.



C-11-X6
This carry case is able to store K-1, Y-1, C-1 and C-3C only.
Color: Grey / Black / Blue
Attention: fit for graphic size 85cm or less