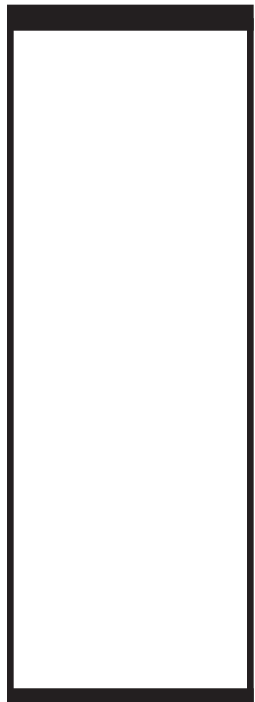
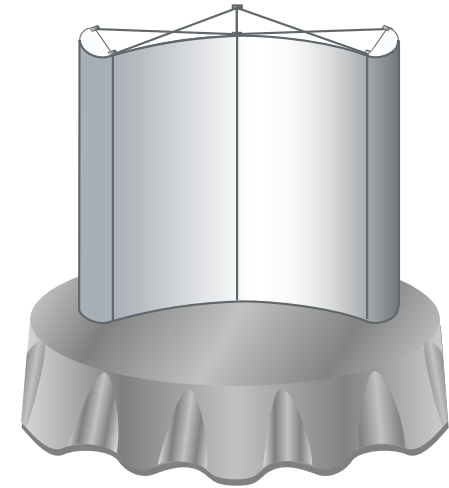
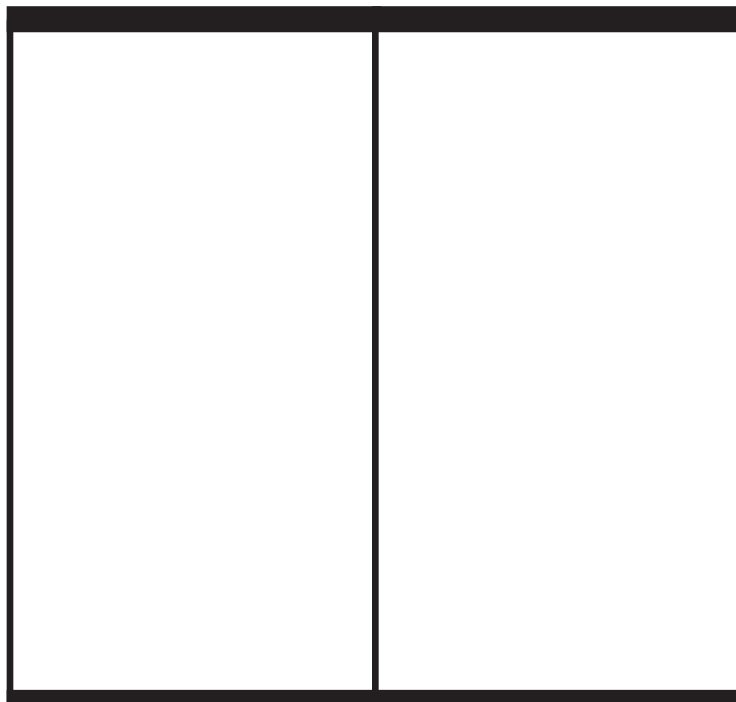


VISION 1000/2000 Pop-Up Display System

Curve Table Top (2 Quad) Panel

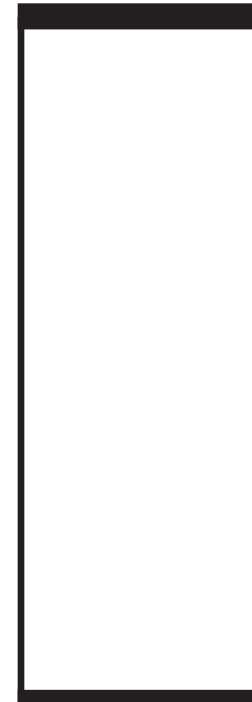


19"



27 13/16"

27 13/16"



19"

1" Exposed Hanger

59 1/2" Live Length
(Fabric/Graphic)

3/4" Exposed Kicker