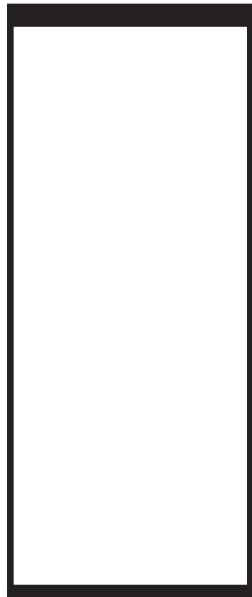
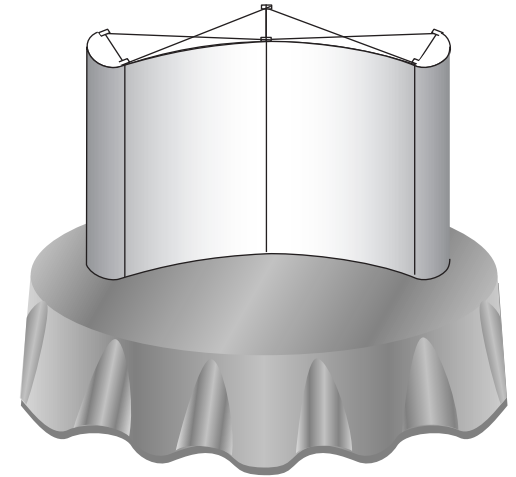
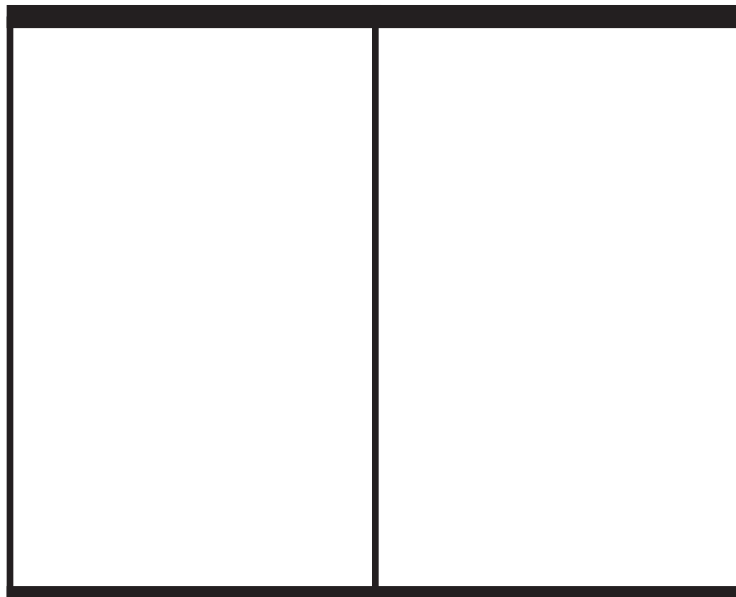


# VISION 1000/2000 Pop-Up Display System

## Curve Table Top (1 Quad) Panel

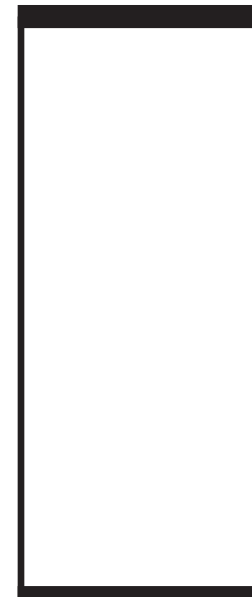


19"



27 13/16"

27 13/16"



19"

1" Exposed Hanger

34 3/4" Live Length  
(Fabric/Graphic)

3/4" Exposed Kicker